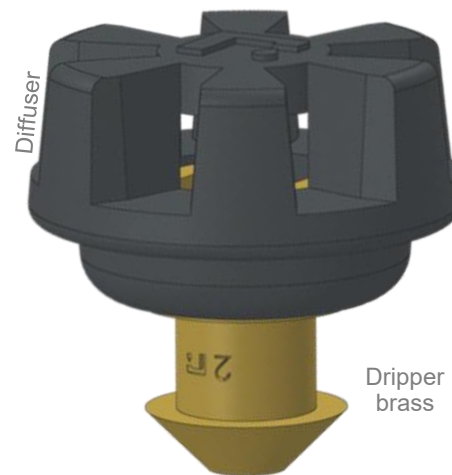
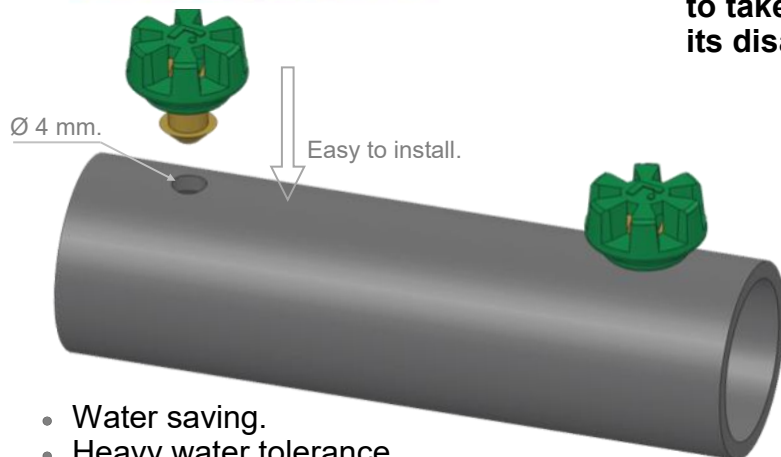




This simple and efficient system is the solution to take advantages of the drip irrigation without its disadvantages



- Water saving.
- Heavy water tolerance.
- Water diffuser.
- Simplified filtration.
- Low cost.
- Easy to install.
- Suit to big water demand.
- Large range of discharges.
- Reliability of the brass drippers.
- Adapted to long lines.
-

Use :

- When the soil condition, climate, and crop require the use of localised watering system.
- When the filtration system is rudimentary and water not fully cleaned.
- When the water volume supplied by a classical drip irrigation system are not sufficient compared to the needs of the crop (hot and dry weather, wind).
- When the foliage parts of the crop must not be in contact with water (cryptogamical and bacteriological diseases).
- When flexible and easy setting are required and the lines to irrigate are long (changing of the distributor's diameters on the line).

Characteristics:

- Size nozzle : 0.8 to 1.7 mm
- Dripper material : Brass
- Diffuser : Polyethylene
- Operating pressure : 0.5 to 1.5 bars.
- Discharge : 14 to 92 l/h.

Filtration :

The MAXI DRIP is a large orifice dripper requiring a minimum filtration system of 300 to 500 μ depending on dripper \varnothing . This filtration is often made of a simple disc filter. Overall, the water discharge flowing through the orifice protects from risk of clogging by deposits of mineral salts contained in the irrigation water.

Spacing :

Usually for fruit farming irrigation. It is recommended to install one line of distributors par tree line (except on clay soil when lines are closed to each other). When the installer chooses to put to put the same diameter for all the distributors of a line, this line must not be too long. It is possible to irrigate longer lines by using several diameters of outlets (150 to 200 m) than with a classical drip system all in maintaining the discharge variation close to 10 %.

Ø en mm	0.8	0.9	1.0	1.1	1.2	1.3	1.4	1.5	1.6	1.7
Color	Purple	Green	Gray	Brown	Black	Orange	Blue	Beige	Red	Yellow
Marking	8	9	0	1	2	3	4	5	6	7
Discharge l/h at 0.5 bars*	14.16	18.00	22.88	26.00	30.36	34.32	40.20	45.36	50.04	55.00
Discharge l/h at 1.0 bars*	19.84	23.40	30.96	35.44	42.00	49.44	56.04	62.16	68.04	75.60
Discharge l/h at 1.5 bars*	23.53	28.62	37.28	42.56	49.20	58.32	67.92	81.00	86.40	92.40

* To be used for informational purpose only